

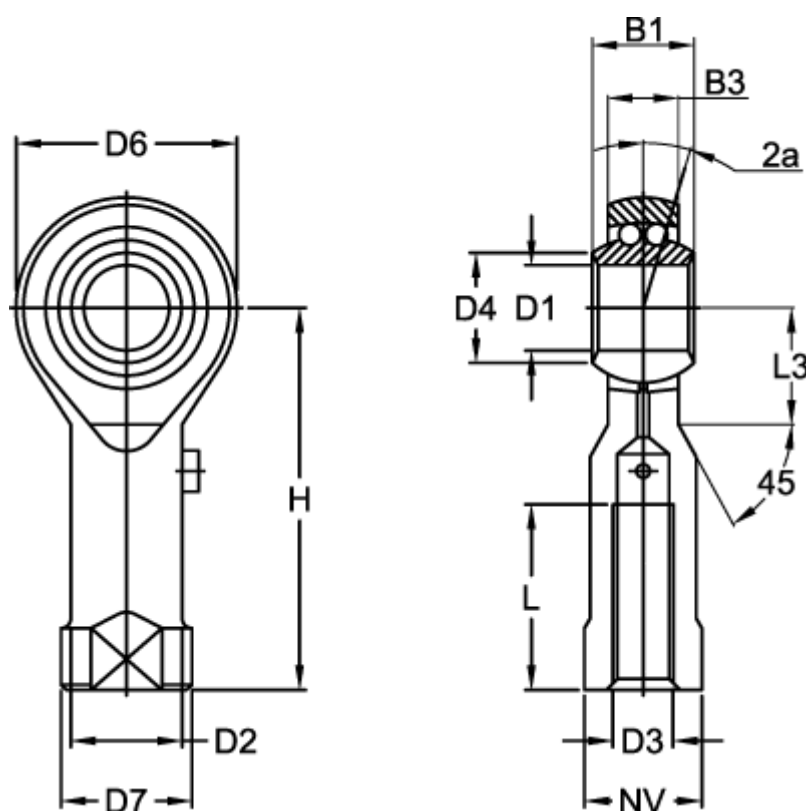
Data Sheet



Article number: 03707018

Description: Fluro rod end BRF 18 L
threaded left with ball bearing

Measures



Angel 2a = 8.5	D7 = 31
B1 = 23	Dynamic load C (N) = 7100
B3 = 16.50	H = 71
D1 = 18	L = 32
D2 = 25.0	L3 = 24
D3 = M18x1,5	Max rpm = 900
D4 = 21.5	NV = 27
D6 = 46	Static load (N) = 2900

Weight (kg) = 0.293